

R H O M B U S
E U R O P E

EXCELLENCE IS IN THE DETAILS!

INDEX

Hotel GRMS About Solution

Theia collection

System Architecture

Network Controllers



GRMS

GRMS offers centralized control of lighting, temperature, curtains, Do Not Disturb (DND) or Make Up Room (MUR) signs. Many GRMS solutions can be integrated into a hotel's Building Management System, allowing for even greater energy efficiency and centralized control. These systems often include touchscreen controls for guests, making it intuitive for them to manage room conditions.



FUNCTIONS

- ✓ DND-MUR
- ✓ DOORBELL
- ✓ RFID ENTRANCE CONTROL
- ✓ THERMOSTAT
- ✓ LIGHT ON/OFF LIGHT
- ✓ DIMMING CURTAIN
- ✓ CONTROLAC
- ✓ CONTROL
- ✓ BEDSIDE SOCKET COMBINED KEYPADS
- ✓ SCENARIOS FOR ENERGY SAVING
- ✓ HOTEL MANAGEMENT SYSTEM INTEGRATIONS IP TV
- ✓ INTEGRATIONS



Technology

Guests will quickly embrace the ease of our comfort-enhancing features like sleep, movie, and comfort modes. - Lighting control - Scene control - Heating / cooling unit control - Shutter / blind control - Easy communication with reception

Customization

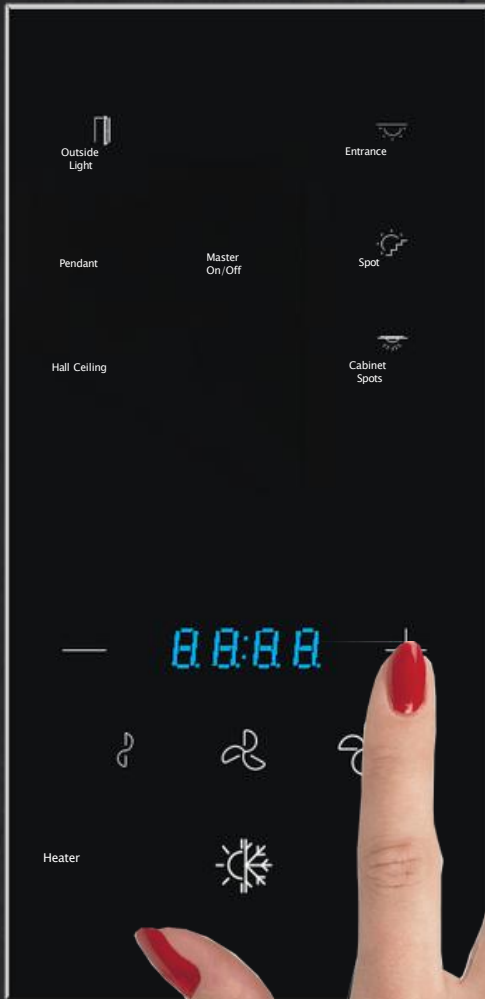
Solutions can be customized according to project requirements. - Fully customizable / configurable touch panels - Setting up multiple commands to buttons

3rd Party Integrations

Ready integrations with well known brands likewise DAIKIN, LG, MITSUBISHI, OPERA, FIDELIO, HOTEZA etc. - BMS System Intehration - HMS & PMS integration - Door Lock system integration - IP TV integration

Design

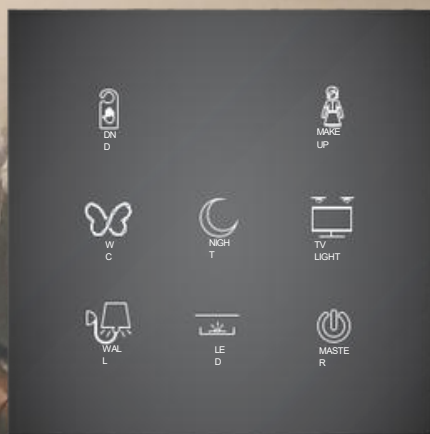
Our keypads, designed by an Italian craftsman, having blend elegance and aesthetics with innovation.



THEIA COLLECTION The iconic collection embodies the essence of straight lines, unadulterated shapes, and flawless surfaces. Its inherent simplicity harmonizes with any décor, bringing a timeless elegance to any space it graces.

This collection is not just a design; it's a testament to enduring style that fits seamlessly into your life, wherever you may require or demand.

Theia collection transcends boundaries, perfectly at home in a diverse array of settings—from the vibrant energy of an urban loft to the retro charm of a mid-century living room, from the sleek functionality of a minimalist conference room to the refined luxury of a classic yacht suite. It is the quintessential companion for any design aesthetic.





Different Colour Finishings



Customized Icons



RGB backlight



Special Touch Glass





Technical Parameters

Power Supply	24VDC \pm 20%
Current Consumption	UP TO 50mA based on backlight settings
Physical Interface	RS-485 / IP Based
Communication Protocol	Modbus / IP
Button Quantity	1 to 9 upon design requirements
Backlight	individually programmable backlight color and brightness
Operating Temperature	0 $^{\circ}$ C+45 $^{\circ}$ C
Faceplate Material	Glass surface with customizable backlight color
Faceplate Color	Standart White, Black and Antrasit upon request special colors are available
Dimension (WxHxD)	95x95x3 mm
Protection Level	IP 20

PANEL DIMENSIONS

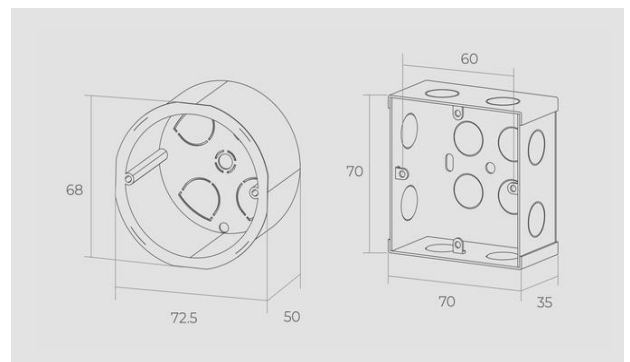
Front View - mm

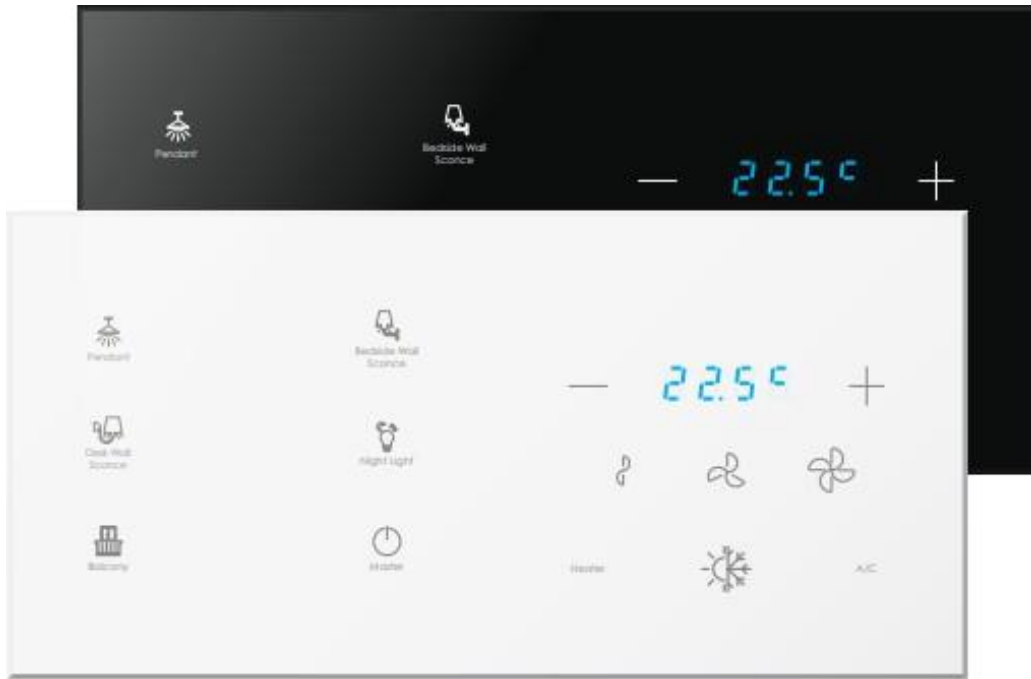


Side View - mm

REQUIRED BACK BOX DIMENSIONS

Recommended back box mm

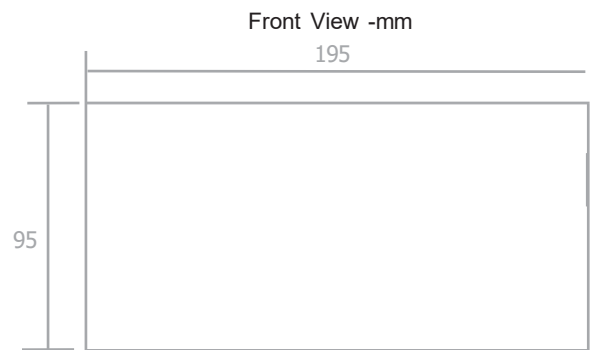




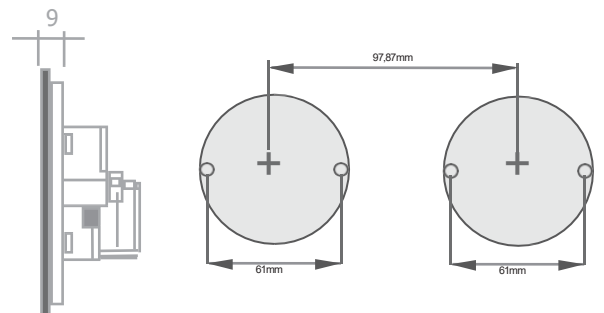
Technical Parameters

Power Supply	24VDC±20%
Current Consumption	UP TO50mA based on backlight settings
Physical Interface	RS-485 / IP Based
Communication Protocol	Modbus / IP
Button Quantity	1 to 9 upon design requirements+ Thermostat Functions
Backlight	individually programmable backlight color and brightness
Operating Temperature	0°C+45°C
Faceplate Material	Glass surface with customizable backlight color
Faceplate Color	Standart White, Black and Antrasit upon request special colors are available
Dimension (WxHxD)	195x95x3 mm
Protection Level	IP 20

PANEL DIMENSIONS

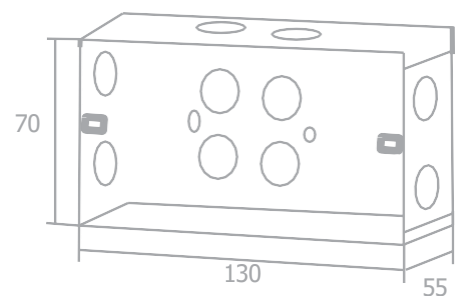


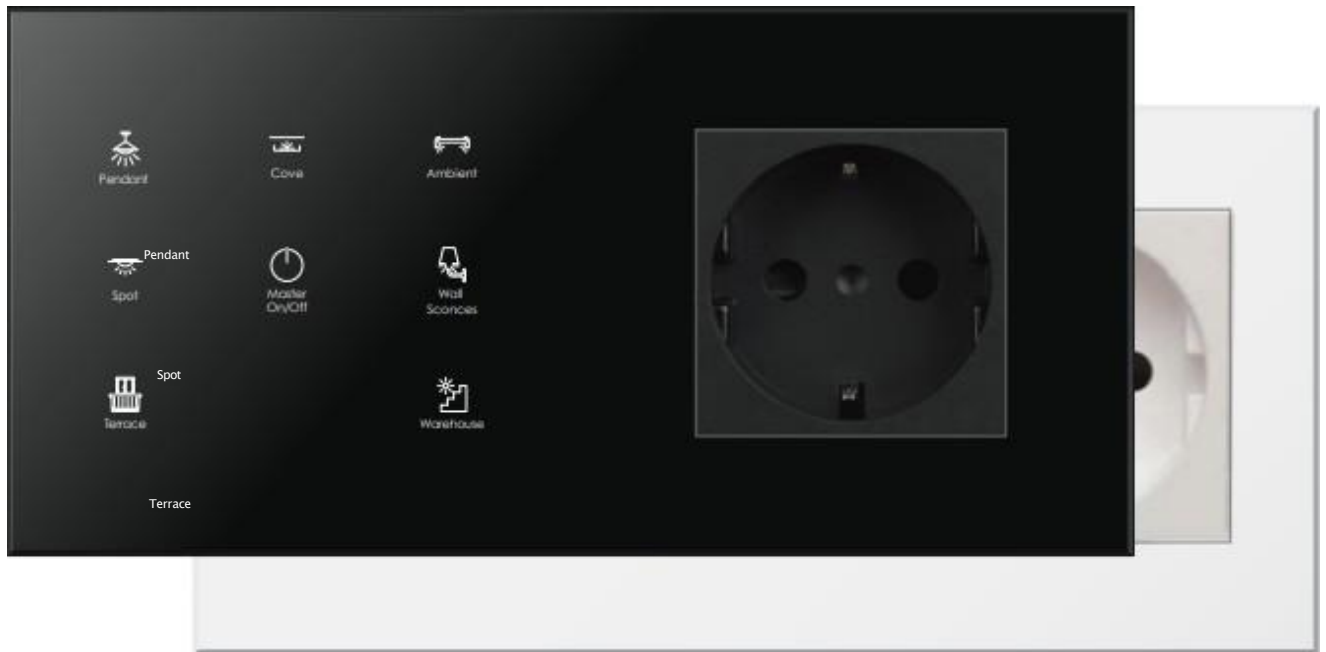
Side View - mm



REQUIRED BACK BOX DIMENSIONS

Recommended back box mm

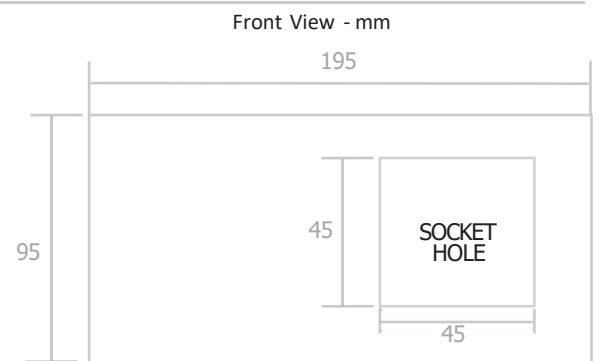




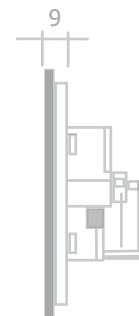
Technical Parameters

Power Supply	24VDC \pm 20%
Current Consumption	UP TO 50mA based on backlight settings
Physical Interface	RS-485 / IP Based
Communication Protocol	Modbus / IP
Button Quantity	1 to 9 upon design requirements + Thermostat Functions
Backlight	individually programmable backlight color and brightness
Operating Temperature	0°C + 45°C
Faceplate Material	Glass surface with customizable backlight color
Faceplate Color	Standard White, Black and Antrasit upon request special colors are available
Dimension (W x H x D)	195 x 95 x 3 mm
Protection Level	IP 20

PANEL DIMENSIONS

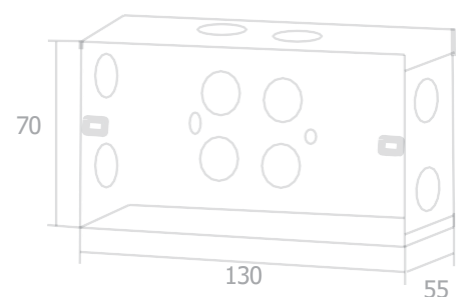


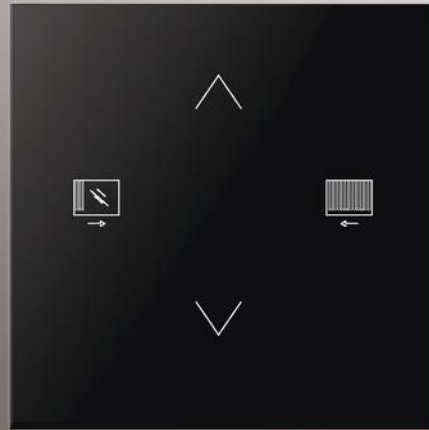
Side View - mm



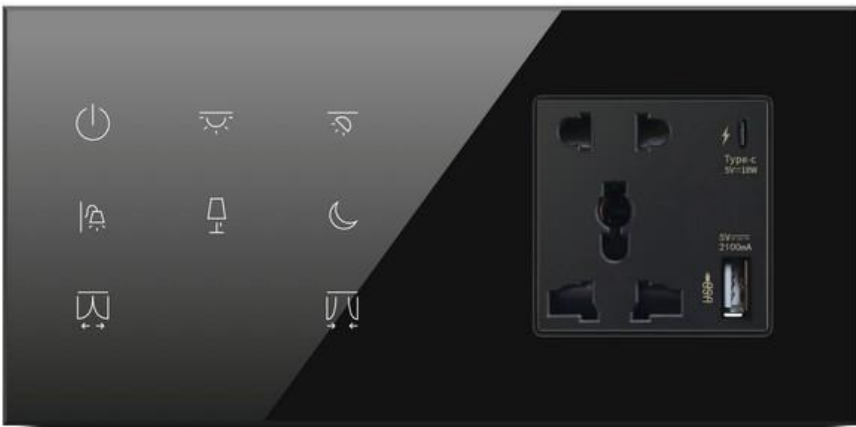
REQUIRED BACK BOX DIMENSIONS

Recommended back box mm





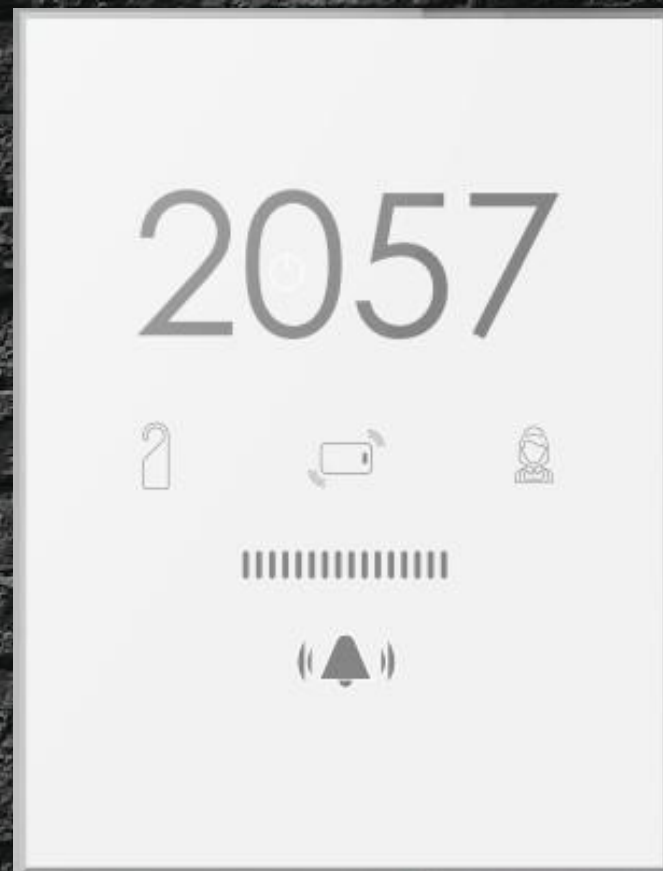
BEDSIDE SOCKET and TOUCH PAD SOLUTIONS



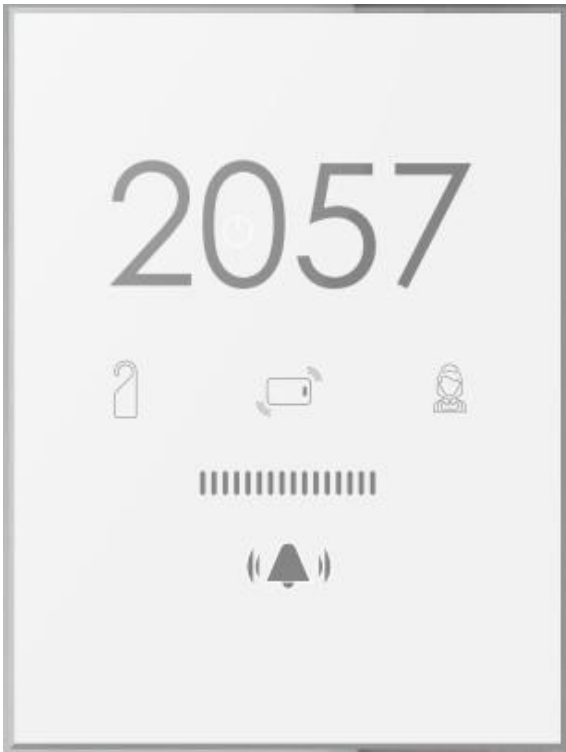
Elevate your touch experience. Introducing door touch panels complete with door numbering, doorbell, Do Not Disturb/Make Up Room signals, presence indicators, and an optional RFID reader for enhanced convenience.



OUTDOOR PANELS

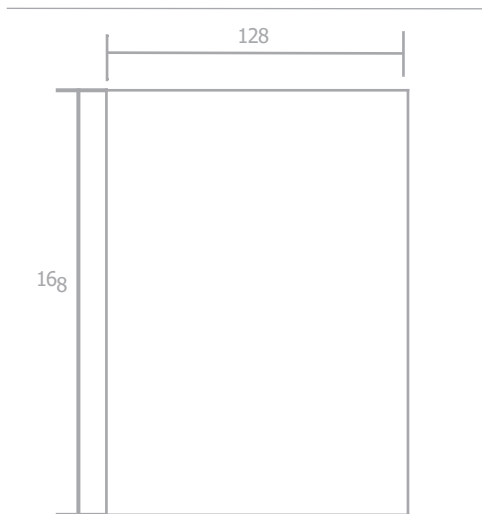


Technical Parameters



Power Supply	24VDC ±20%
Current Consumption	UP TO 0.1mA based on backlight settings
Physical Interface	RS-485 / IP Based
Communication Protocol	Modbus / IP
Button Functions	MUR - DND- RFID- DOORBELL
Backlight	individually programmable backlight color and brightness
Operating Temperature	0°C +45°C
Faceplate Material	Glass surface with customizable backlight color
Faceplate Color	Standard White, Black and Antrazit upon request special colors are available
Dimension (W x H x D)	128 x 168 x 3 mm
Protection Level	IP 20

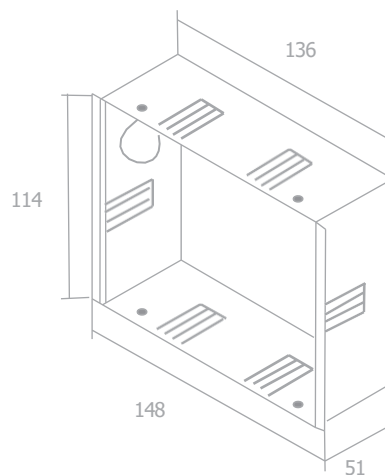
Front View - mm



Side View - mm

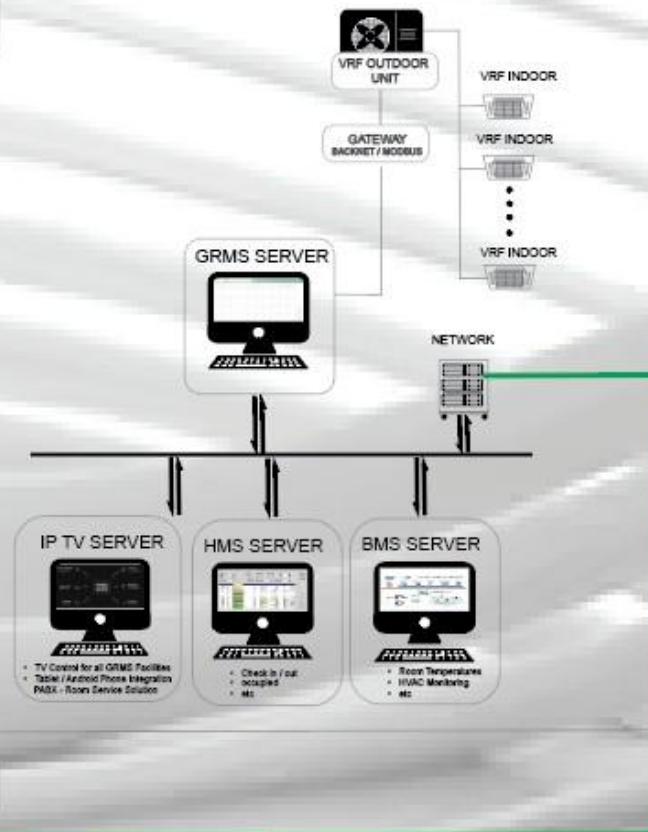


Recommended back box mm

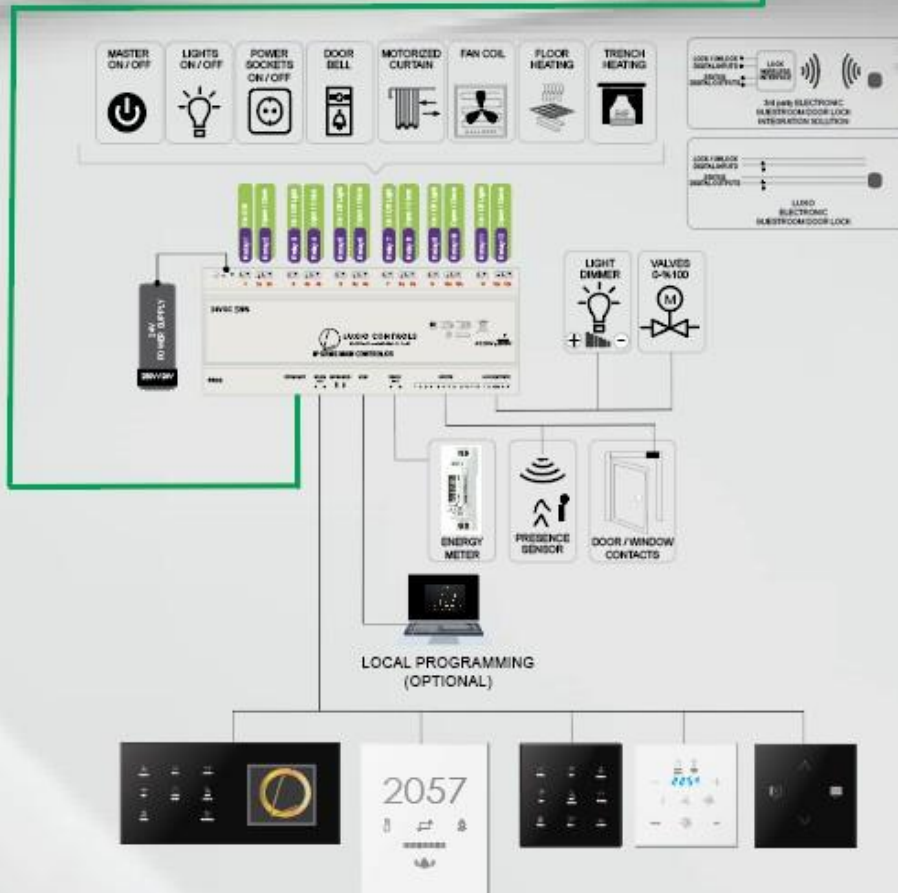


SYSTEM ARCHITECTURE

HOTEL SIDE



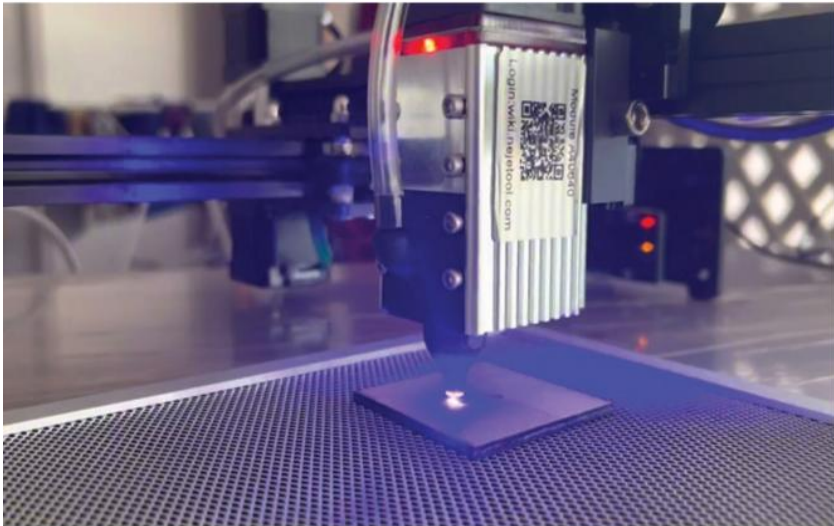
GEUST ROOM SIDE



CUSTOMIZE YOUR PROJECT

Your project is as unique as your vision, and it deserves a design that reflects that singularity. Partner with us to craft a custom logo and button interface that aligns with your preferences.

Optimum Icon Sizes	Horizontal Icons (mm)	Vertical Icons (mm)
Big Icon Width / Height : 10 mm		
Medium Icon Width / Height : 8 mm		
Small Icon Width / Height : 6 mm		
Small Icon with 1 Line Text Width / Height : 6 mm Font Type : Century Gothic** Font Size : 6 pt (Max. 10 letters)		
Small Icon with 2 Line Text Width / Height : 6 mm Font Type : Century Gothic Font Size : 6 pt (Max. 10 letters) Line Height : 7 pt		



laser engraving



Customized & Tailor Made design for your entities





NETWORK CONTROLLERS

The Network Controller Series is designed to fulfill the needs of a wide variety of building systems. The controllers provide temperature control, presence detection, guest room management as well as integration with BMS, PMS and door lock systems.

CONNECTED

All controllers are multi-protocol and support wireless communication which enables them to connect with most IoT ecosystems.

USER FRIENDLY

Easy to program with its user-friendly web interface, the controller gathers data from all subsystems and devices, then sends it either locally or to the cloud. The logic editor allows you to create complex scenarios in a matter of seconds.

POWERFUL

The controllers work in combination with a wide range of sensors to drive energy efficiency, monitor alarms and events, and perform proactive maintenance giving building managers total visibility and control.

High performance IP Controller

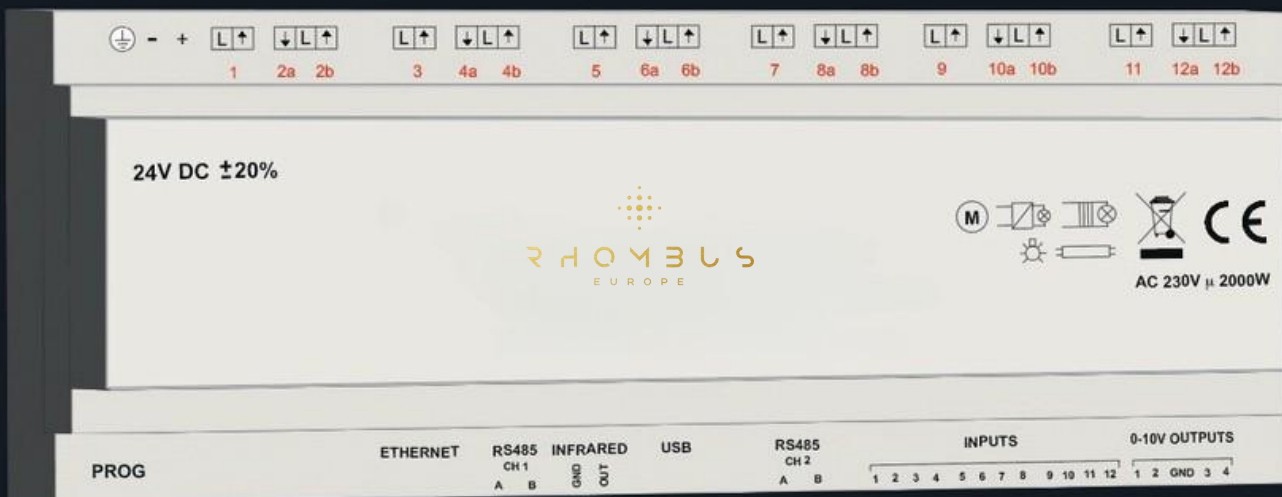


RELX-MCR12

Rhombus Europe's High performance controller (RELX-MCR12) is the brain of the entire Smart Room system. Communication with the Cloud Portal is based on ETHERNET and RS485 bus is used to connect all smart in room peripherals like touch points (light and curtains control panels) and thermostats. It has on board 12 Power Relays and multiple Digital / Analogue Inputs, all of the freely programmable in terms of logics and complex scenarios.

High performance IP Controller

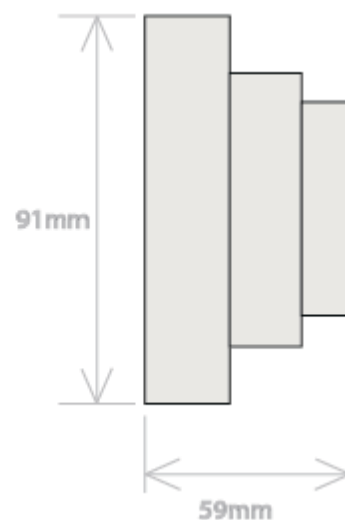
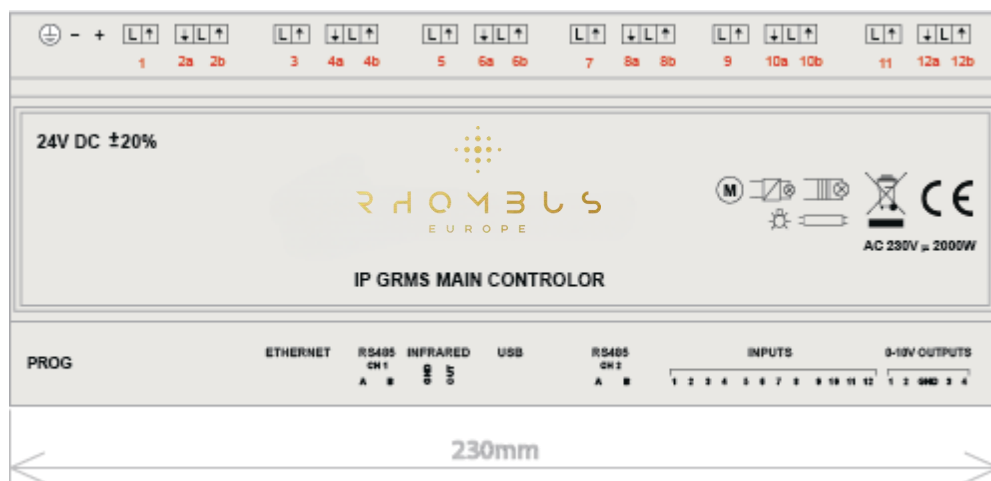
Technical Parameters



Product Specification

Power Supply	DC 24V \pm 20% 0.5A	USB Port	Micro-B USB for firmware update
Relay Outputs	12 (6 normally open, 6 normally open and close)	RS-485 Interface	2x independent ports, up to 8 devices on each port
Relay Rating	16A per channel Up to 100A inrush current	Operating Temperature Range	0 °C - +45 °C
Digital Inputs	12	Storage & Transp. Temp Range	-10 °C - +70 °C
Analog Outputs	4x 0-10V	Maximum Humidity Level	90%
Network	1x 10/100 Ethernet port	Case Material & Mounting Type	ABS V0 flame retard -DIN Rail mountable
Infrared Control	Built-in	Dimensions (W x H x D)	230 x 91 x 59 mm
		Protection Level	IP20, for indoor use only

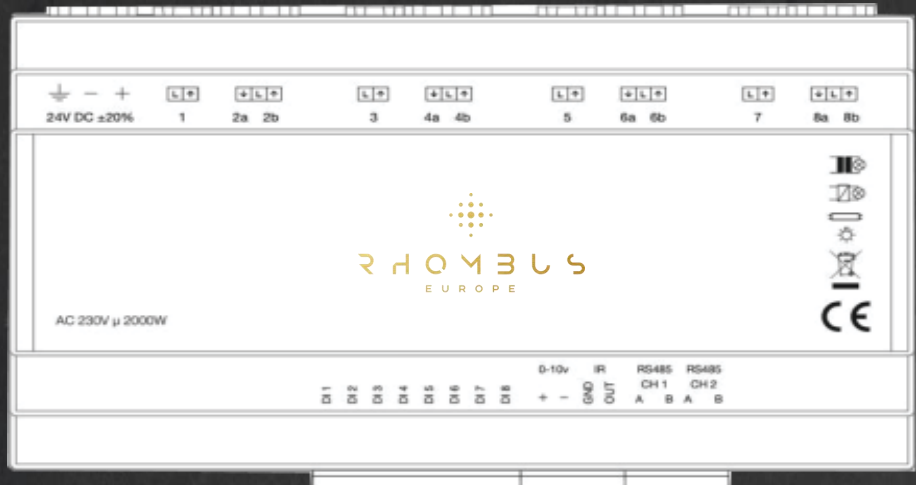
Dimensions



Wireless Controller



Wi-Fi connectivity to Cloud Portal
BLE embedded for integration with
BLE Presence and Window
Magnetic Switch sensors



RELX-MCR8

RELX-MCR8 Wireless controller is an alternative brain for the GRMS with smaller size (9 DIN rail Modules) and full Wireless Capabilities. It has in fact Wi-Fi and BLE embedded technologies. Same RS485 bus of the IP12 Controller is used to connect all smart in room peripherals like touch points (light and curtains control panels) and thermostats. It has on board 8 Power Relays and multiple Digital / Analogue Inputs, all of the freely programmable in terms of logics and complex scenarios + embedded IR output to control directly Splitters.

DIMENSIONS 158mm width, 9

DIN RAIL Modules

Wireless Door or Window Contact



Bluetooth® Low Energy

RELX-DWC-BLE

Wireless Door or Window Contact Enhance your space with the RELX-DWC-BLE: a wireless solution for door and window monitoring that requires no wiring. Effortlessly transmit the open/close status to the RELX-DWC-BLE, offering you the flexibility to adapt to future modifications with ease. Plus, the use of Bluetooth Low Energy protocol means longer life for your sensors without the need for frequent battery changes.

OCUUPANCY SENSOR FOR PRESENCE



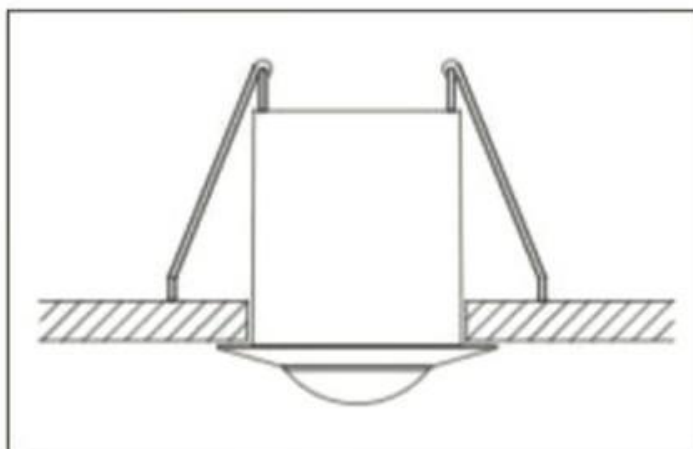
RELX-PIR01

Product Specification

Product Name	Power RELX-PIR01
supply Physical	DC 24V \pm 20% <1W
Interface Sensor	Dry Contact
Responsivity Mounting	4000W/V
Warm Up Time	2 metal springs on 52 mm punch hole 15
Operating Temperature Range	seconds
Dimensions (Q x D)	0°C +45°C
Storage & Transportation	Q66 x 91 mm
Temperature Range	-10°C +60°C
Operating Humidity Rance	
Case Material & Mounting Type	30 - 85% RH non considering
Weight	PC/ABS - DIN Rail mountable 150g
Standard colors IP	White
Protection	IP 32

Ceiling mounting

The sensor has two springs to allow ceiling mounting as following:

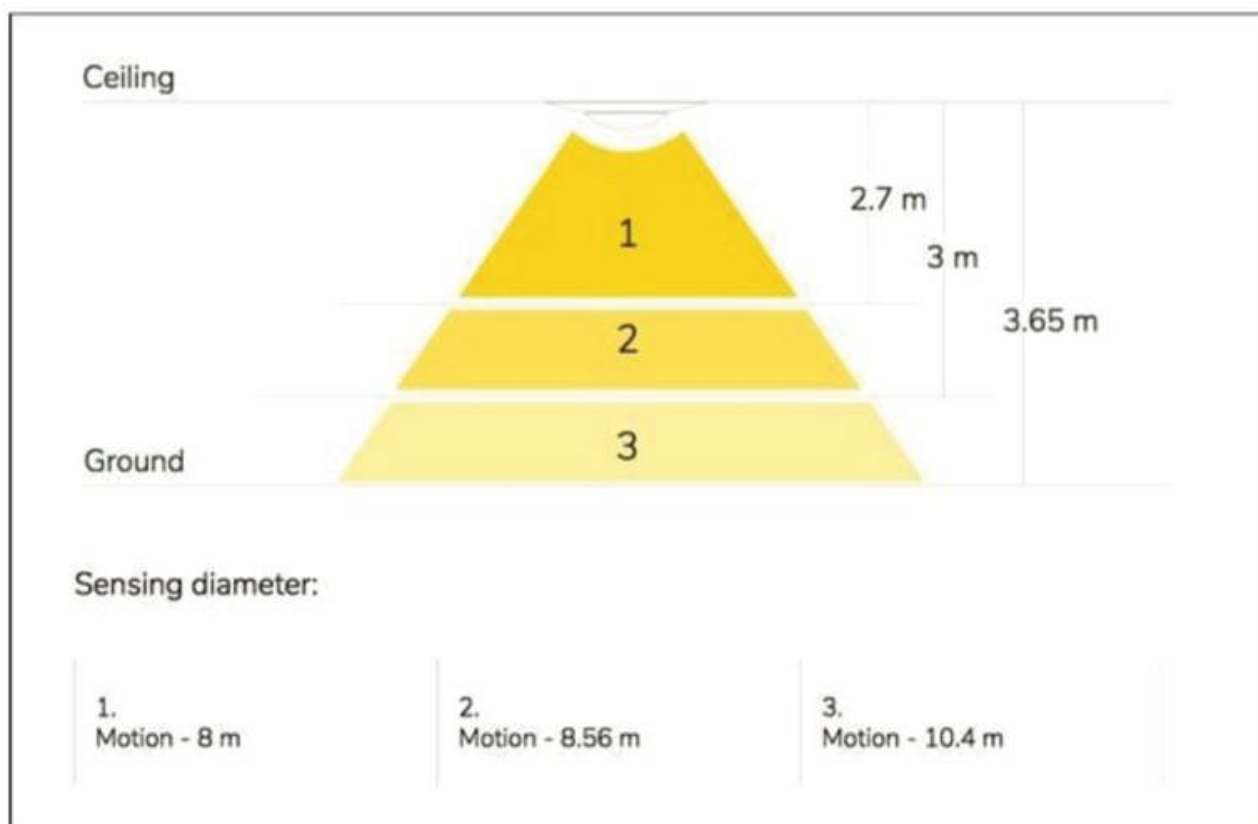


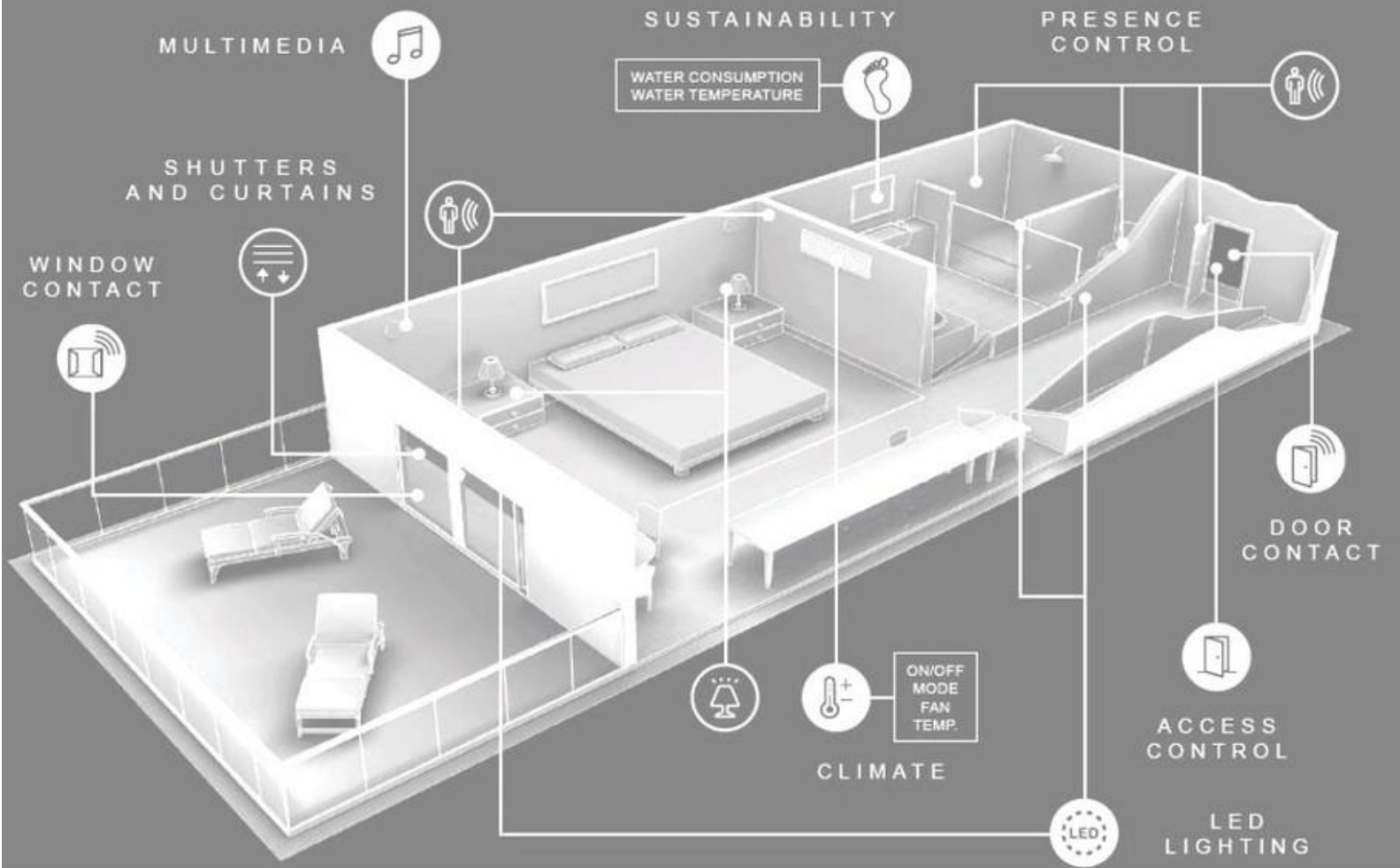
Not recommended installation cases

- near the window with direct sunlight on the sensor's lens
- near utilities that can rapidly change the temperatures (coolers, heaters, etc.)
- near reflecting surfaces (mirrors)
- near places with fast air circulation (ventilation units, open windows and doors)
- near metal objects that can cause radio attenuation or shading
- outside the building, the product is designed for indoor use only
- In a room with temperature and humidity exceeding the appropriate levels

Detection Range

The M-Sensor detection range change according to the installation height as following:





A SMART BUILDING WITH A HEART

At Rhombus Europe, we believe that just a “smart” home is not enough. Feeling is the essential quality missing in any living space. In order to learn from your habits, recognize your mood, and anticipate your wants, a building needs a heart. With the help of AI and IoT technology, we are giving it one.

CONTACT US



Razlog, Bulgaria

Head Office

2 Hristo Botev Str., 2760

info@rhombus-europe.com

+359 882 444 083

Varna, Bulgaria

Factory

6 Yan Huniyadi Blvd., 9000

info@rhombus-europe.com

+359 882 444 083

Sofia, Bulgaria

Showroom Rhombus - Top Group

17 Bistrishko Shose Str.

info@rhombus-europe.com

+359 882 444 083

Paris, France

Rhombus Office France

44 avenue de la prouveresse

06530 PEYMEINADE

Gregory Lacroix

fr@rhombus-europe.com

+33 6077 24464

London, UK

Rhombus Office UK

Unit 12 Riverview Business
Park, East Sussex, RH18 5FS

Andrew Mackie

uk@rhombus-europe.com

+44 7817 324 839

Dubai, UAE

Rhombus Office ME

Icon Tower, Office 203

TECOM, Dubai - UAE

salesme@rhombus-europe.com



R H O M B U S
E U R O P E

EXCELLENCE IS IN THE DETAILS!

www.rhombus-europe.com